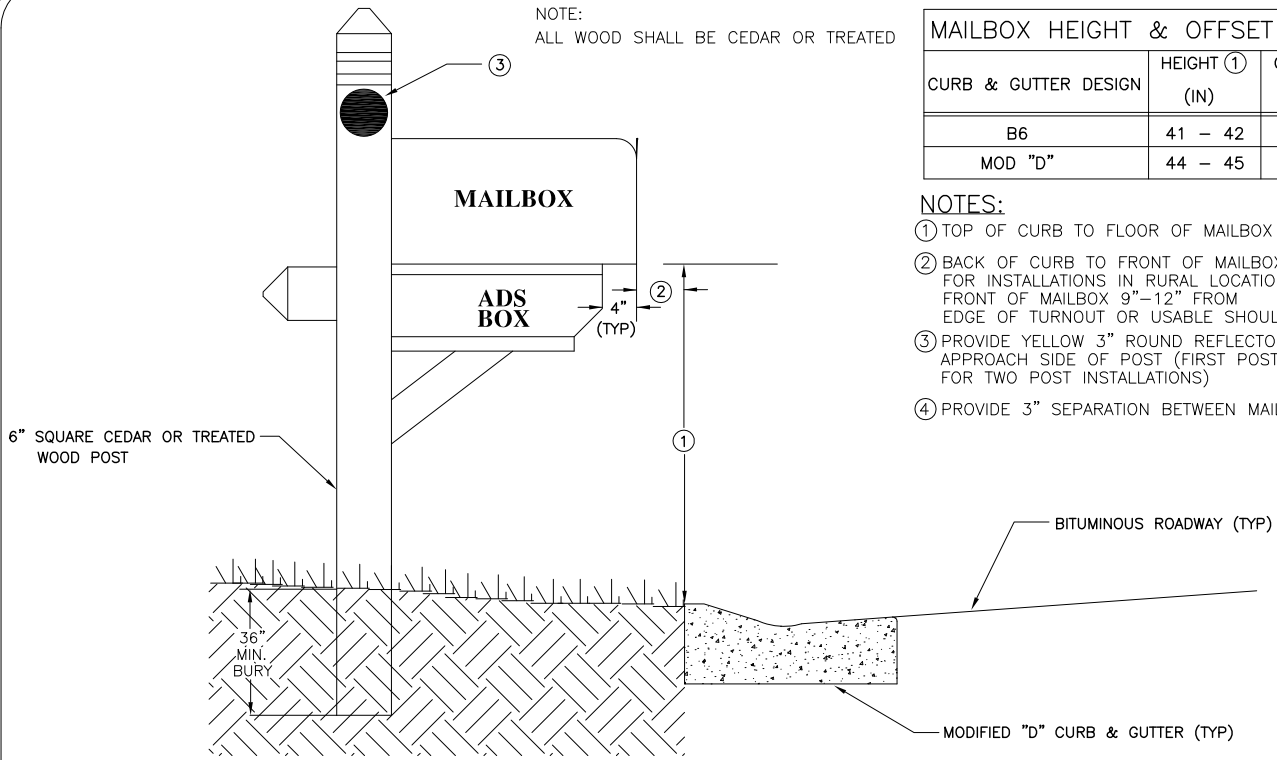


NOTE:  
ALL WOOD SHALL BE CEDAR OR TREATED

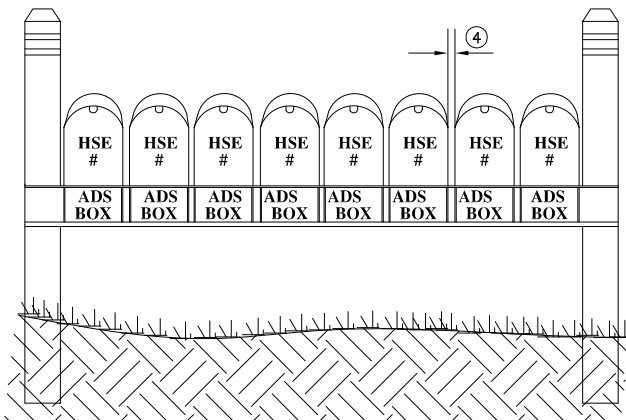
MAILBOX HEIGHT & OFFSET TABLE		
CURB & GUTTER DESIGN	HEIGHT ① (IN)	OFFSET ② (IN)
B6	41 - 42	11
MOD "D"	44 - 45	15

**NOTES:**

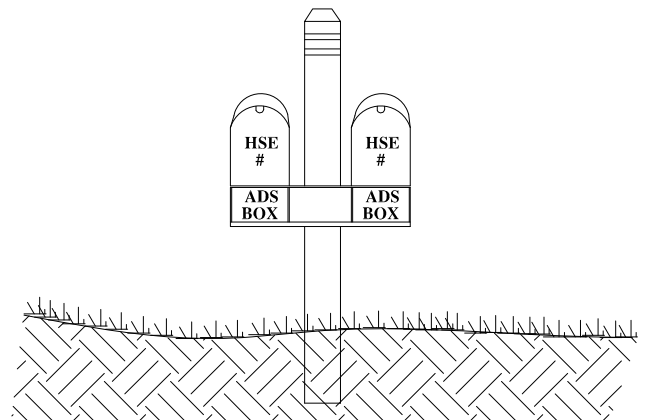
- ① TOP OF CURB TO FLOOR OF MAILBOX
- ② BACK OF CURB TO FRONT OF MAILBOX. FOR INSTALLATIONS IN RURAL LOCATIONS OFFSET FRONT OF MAILBOX 9"-12" FROM EDGE OF TURNOUT OR USABLE SHOULDER
- ③ PROVIDE YELLOW 3" ROUND REFLECTOR ON APPROACH SIDE OF POST (FIRST POST ONLY FOR TWO POST INSTALLATIONS)
- ④ PROVIDE 3" SEPARATION BETWEEN MAILBOXES



NOTE: MINIMUM 3 MAILBOXES TO MAXIMUM 8 MAILBOXES ON DOUBLE POST INSTALLATION



NOTE: 1 MAILBOX TO MAXIMUM 2 MAILBOXES ON SINGLE POST INSTALLATION



**Standard Plate Library  
City of Monticello**

Title:

**Mailbox Detail  
New-Residential**

Date:

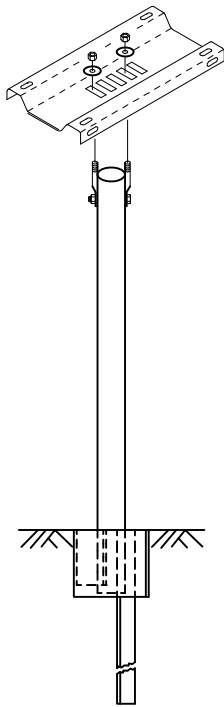
03-07

Plate No.

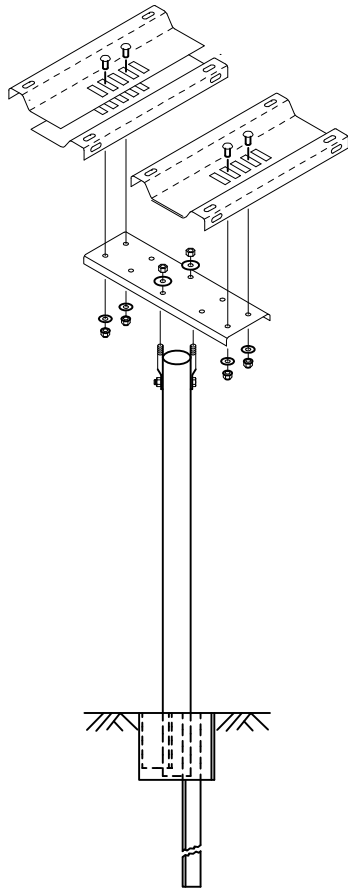
Revised:

03-15

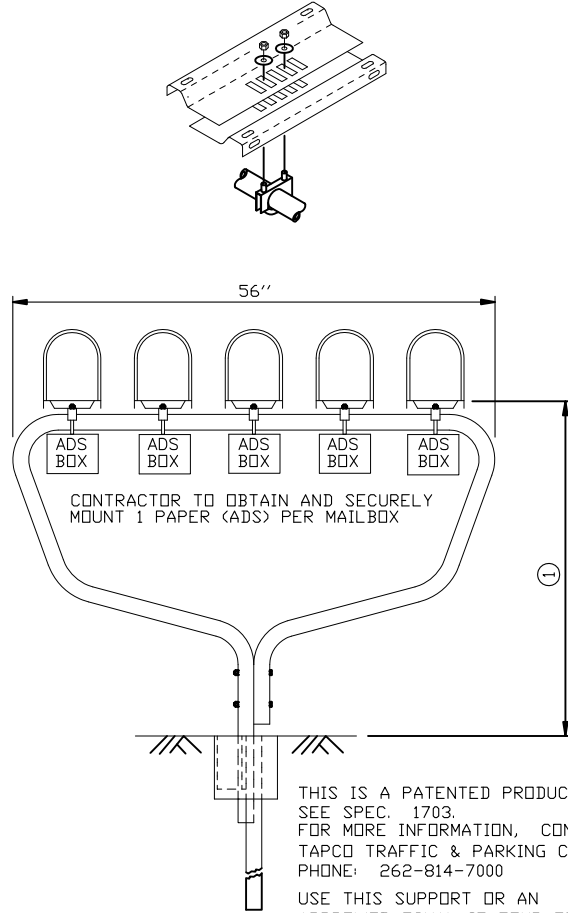
5014



SINGLE MAILBOX SUPPORT



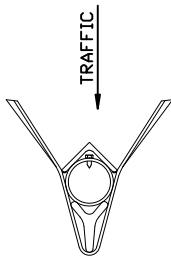
DOUBLE MAILBOX SUPPORT



CLUSTER MAILBOX SUPPORT

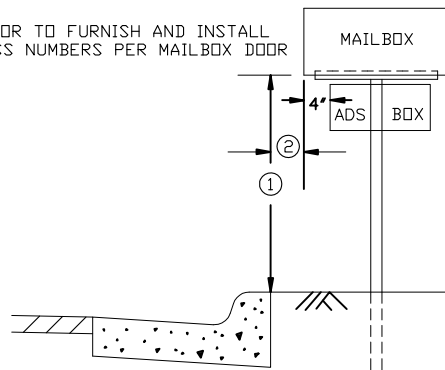
THIS IS A PATENTED PRODUCT. SEE SPEC. 1703. FOR MORE INFORMATION, CONTACT TAPCO TRAFFIC & PARKING CONTROL CO. INC. PHONE: 262-814-7000

USE THIS SUPPORT OR AN APPROVED EQUAL IF FOUR OR MORE MAILBOXES ARE LOCATED IN ONE AREA.



POST ANCHORAGE DEVICE

CONTRACTOR TO FURNISH AND INSTALL 1" ADDRESS NUMBERS PER MAILBOX DOOR



LOCATION OF MAILBOX POST  
APPROVED PROPRIETARY MAILBOX SUPPORTS  
MECHANICAL TUBING

MAILBOX HEIGHT & OFFSET TABLE

CURB & GUTTER DESIGN	HEIGHT ① (IN)	OFFSET ② (IN)
B6	41 - 42	11
MOD "D"	44 - 45	15

NOTES:

- ① TOP OF CURB TO FLOOR OF MAILBOX
- ② BACK OF CURB TO FRONT OF MAILBOX. FOR INSTALLATIONS IN RURAL LOCATIONS OFFSET FRONT OF MAILBOX SHALL BE 9"-12" FROM EDGE OF TURNOUT OR USABLE SHOULDER



Standard Plate Library  
City of Monticello

Title:

**Mailbox Detail  
Existing-Residential**

Date:

03-07

Plate No.

5015

Revised:

03-15