

20. Consideration of accepting quote and authorizing purchase of 2023 Chevrolet 4500 landscape truck for \$65,407 for the Parks, Arts & Recreation Department

Prepared by: Parks & Recreation Director	Meeting Date: 6/26/2023	<input checked="" type="checkbox"/> Consent Agenda Item <input type="checkbox"/> Regular Agenda Item
Reviewed by: Finance Director	Approved by: City Clerk	

ACTION REQUESTED

Motion authorizing the purchase of a 2023 Chevrolet 4500 landscape truck for \$65,407 for the Parks, Arts & Recreation Department in conjunction with the Central Equipment Fund.

REFERENCE AND BACKGROUND

City Council is asked to accept quotes from Gilleland Chevrolet and North Central Truck to authorize the purchase of a 2023 Chevrolet 4500 landscape truck for the Parks, Arts & Recreation Department. The purchase was originally planned with the 2021 budget for the Central Equipment Fund previously presented to the Council.

Staff obtained state contract pricing from North County GM. However, Gilleland Chevrolet matched the state contract price and has a truck in stock. The cab chassis purchased for \$48,415 from Gilleland Chevrolet will be dropped off at North Central Truck in St. Cloud to install the landscape body for \$13,792. An additional \$3,200 is anticipated for vehicle tax on top of the quoted price. The landscape truck will be used daily for maintenance operations and will replace the truck trailer operations.

- I. **Budget Impact:** The 2021 budget identified \$63,000 for the truck purchase. Although budgets lapse at year end, the rental payments from the Parks Department in the General Fund have already been charged for three years in anticipation of the purchase of this truck. Therefore, \$65,407 for the 2023 Chevrolet landscape truck is available in the Central Equipment Fund.
- II. **Staff Workload Impact:** Parks, Arts & Recreation staff will pick up the truck from the dealership in St. Cloud.
- III. **Comprehensive Plan Impact:** N/A

STAFF RECOMMENDED ACTION

City staff recommends the purchase of 2023 Chevrolet 4500 landscape truck for \$65,407 for the Parks, Arts & Recreation Department in conjunction with the Central Equipment Fund.

SUPPORTING DATA

- A. Truck quotes
- B. Body quotes
- C. Pictures



Vehicle Locator

Dealer Information

GILLELAND CHEVROLET
 3019 DIVISION ST
 SAINT CLOUD, MN 56301
 Phone: 320-251-4943
 Fax: 320-255-7007

JALCDW160P7014178

Model Year: 2023
Make: Chevrolet
Model: 4500 HD LCF Diesel
 CT34003-176" Wheel Base, Reg Cab
PEG: 1WT-1WT
Primary Color: 16U-Arc White
Trim: H72-Interior Trim, Cloth, Medium Ash Gray
Engine: I1B-Engine-Diesel, 4 Cyl 5.2L, 215HP
Transmission: IR7-Transmission-Auto 6 Spd

Event Code: 5000-Delivered to Dealer
Order #: BMRS86
MSRP: \$64,615.00

Order Type: SXN-NAIPC Retail Sold
Stock #: 230628
Inventory Status: N/A

Additional Vehicle Information

SOLD RKAME

GM Marketing Information

Vehicle Options

Chargeable Options	MSRP
ATG-PIO: Lock Control, Entry-Remote Entry, Standard Range	\$315.00
DB8-PIO: Mirror O/S-LH & RH, Heated Mirrors	\$105.00
IX2-PIO: Switch-Rear Dome Body Lamp Switch	\$30.00
MTE-PIO: Provisions-Fire Exting/Safety Reflector Kit Mount	\$90.00
PDW-PIO: Cold Climate Package with Receptacle	\$310.00
R9J-Ocean Freight Surcharge	\$2,475.00

No Cost Options

005-REAR AXLE, 4.56 RATIO
 1WT-1WT
 I1B-Engine-Diesel, 4 Cyl 5.2L, 215HP
 IR7-Transmission-Auto 6 Spd
 N4C-Emission, 50 State

58,615
- 4,950 CAD

\$53,665

+ TTZ

Other Options

16U-Arc White

3TA-Tire Rear-LT215/85R16 E 115/112 L BW
ALS

AU3-Door Locks, Power

C7S-GVW Rating, 14,500 Lbs

H72-Interior Trim, Cloth, Medium Ash Gray

K34-Cruise Control-Automatic, Electronic

K45-Air Cleaner-Heavy Duty

NC2-Exhaust System-Single Horizontal

PWJ-Wheel-16 X 6.0, Steel

T4L-Headlamps, LED

TP7-Battery-750 CCA, 12V Dual

UIZ-AM Stereo/FM Stereo, CD, Aux Input, USB,
BlueTooth

2TA-Tire Front-LT215/85R16 E 115/112 L BW
ALS

A1F-Seat-Frt Bkt, High Back, Driver & Pass

C60-Hvac System-Air Conditioner Frt, Man
Controls

FNW-176" Wheelbase

JL9-Brake System, Power, Front & Rear

K40-Engine Brake-Exhaust

KG9-Generator-140 Amp

NH4-Fuel Tank, 113L, 30 Gallon, Stainless
Steel

RQ2-Vehicle Application Truck Service

TIJ-Grille, Radiator, Silver

UAD-Speaker System-2, Front, Base

VXT-Incomplete Vehicle Identifier

"~" indicates vehicle belongs to Trading Partner's inventory

Disclaimer:

GM has tried to make the pricing information provided in this summary accurate. Please refer to actual vehicle invoice, however, for complete pricing information. GM will not make any sales or policy adjustments in the case of inaccurate pricing information in this summary.



NORTH COUNTRY GM

BOB OHARA | 218-262-3881 | rwohara01@aol.com

CITY OF MONTICELLO

Prepared For: TOM

Vehicle: [Fleet] 2023 Chevrolet 4500HD LCF Diesel (CT34003) 2WD Reg Cab 176"





NORTH COUNTRY GM

BOB OHARA | 218-262-3881 | rwohara01@aol.com

Vehicle: [Fleet] 2023 Chevrolet 4500HD LCF Diesel (CT34003) 2WD Reg Cab 176" (✔ Complete)

Quote Worksheet

	MSRP
Base Price	\$59,715.00
Dest Charge	\$1,575.00
Total Options	\$3,665.00
Subtotal	\$64,955.00
BID ASSIST	(\$5,250.00)
Subtotal Pre-Tax Adjustments	(\$5,250.00)
Less Customer Discount	(\$11,290.00)
Subtotal Discount	(\$11,290.00)
Trade-In	\$0.00
Subtotal Trade-In	\$0.00
Taxable Price	\$48,415.00
Sales Tax	\$0.00
Subtotal Taxes	\$0.00
Subtotal Post-Tax Adjustments	\$0.00
Total Sales Price	\$48,415.00

Dealer Signature / Date

Customer Signature / Date

This document contains information considered Confidential between GM and its Clients uniquely. The information provided is not intended for public disclosure. Prices, specifications, and availability are subject to change without notice, and do not include certain fees, taxes and charges that may be required by law or vary by manufacturer or region. Performance figures are guidelines only, and actual performance may vary. Photos may not represent actual vehicles or exact configurations. Content based on report preparer's input is subject to the accuracy of the input provided.

Data Version: 19615. Data Updated: Jun 6, 2023 6:42:00 PM PDT.



NORTH COUNTRY GM

BOB OHARA | 218-262-3881 | rwohara01@aol.com

Vehicle: [Fleet] 2023 Chevrolet 4500HD LCF Diesel (CT34003) 2WD Reg Cab 176" ( Complete)

Price Summary

PRICE SUMMARY

	MSRP
Base Price	\$59,715.00
Total Options	\$3,665.00
Vehicle Subtotal	\$63,380.00
Destination Charge	\$1,575.00
Grand Total	\$64,955.00

This document contains information considered Confidential between GM and its Clients uniquely. The information provided is not intended for public disclosure. Prices, specifications, and availability are subject to change without notice, and do not include certain fees, taxes and charges that may be required by law or vary by manufacturer or region. Performance figures are guidelines only, and actual performance may vary. Photos may not represent actual vehicles or exact configurations. Content based on report preparer's input is subject to the accuracy of the input provided.

Data Version: 19615. Data Updated: Jun 6, 2023 6:42:00 PM PDT.



NORTH COUNTRY GM

BOB OHARA | 218-262-3881 | rwohara01@aol.com

Vehicle: [Fleet] 2023 Chevrolet 4500HD LCF Diesel (CT34003) 2WD Reg Cab 176" (✔ Complete)

Weight Ratings

WEIGHT RATINGS

Front Gross Axle Weight Rating:	5360 lbs
Rear Gross Axle Weight Rating:	9880 lbs
Gross Vehicle Weight Rating:	14500.00 lbs

This document contains information considered Confidential between GM and its Clients uniquely. The information provided is not intended for public disclosure. Prices, specifications, and availability are subject to change without notice, and do not include certain fees, taxes and charges that may be required by law or vary by manufacturer or region. Performance figures are guidelines only, and actual performance may vary. Photos may not represent actual vehicles or exact configurations. Content based on report preparer's input is subject to the accuracy of the input provided.

Data Version: 19615. Data Updated: Jun 6, 2023 6:42:00 PM PDT.



NORTH COUNTRY GM

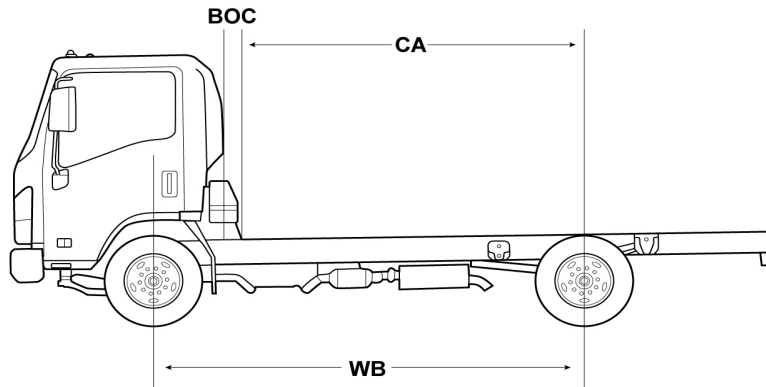
BOB OHARA | 218-262-3881 | rwohara01@aol.com

Vehicle: [Fleet] 2023 Chevrolet 4500HD LCF Diesel (CT34003) 2WD Reg Cab 176" (✔ Complete)

Weight Distribution

SPECIFICATION SUMMARY

Model #	CT34003
Truck/Tractor	
Wheelbase (WB)	176.0 in
Cab to Axle (CA)	153.5 in
Cab to Body/Swing Clear (BOC)	0.0 in
Body Length	0.0 ft
Body Weight	0.0 lbs
Cargo Weight	0.00 lbs
Front GAWR	5360 lbs
Rear GAWR	9880 lbs
GVWR	14500.00 lbs



CA: 153.5 in
 BOC: 0.0 in
 WB: 176.0 in

Fr%: N/A
Front Wt: 4123.00 lbs

Rr%: N/A
Rear Wt: 2027.00 lbs

GAWR/GVWR	GVW	Remaining Payload Wt
14500.00 lbs	6500.00 lbs	8,000.00 lbs

This document contains information considered Confidential between GM and its Clients uniquely. The information provided is not intended for public disclosure. Prices, specifications, and availability are subject to change without notice, and do not include certain fees, taxes and charges that may be required by law or vary by manufacturer or region. Performance figures are guidelines only, and actual performance may vary. Photos may not represent actual vehicles or exact configurations. Content based on report preparer's input is subject to the accuracy of the input provided.

Data Version: 19615. Data Updated: Jun 6, 2023 6:42:00 PM PDT.



NORTH COUNTRY GM

BOB OHARA | 218-262-3881 | rwohara01@aol.com

Vehicle: [Fleet] 2023 Chevrolet 4500HD LCF Diesel (CT34003) 2WD Reg Cab 176" (✔ Complete)

Weight Distribution

SPECIFICATION DETAILS

	Front Axle	Rear Axle	Total
Actual			
Chassis	4123.00 lbs	2027.00 lbs	6150.00 lbs
Body	0.00 lbs	0.00 lbs	0.0 lbs
Payload	0.00 lbs	0.00 lbs	0.00 lbs
Trailer			0.0 lbs
Totals	4123.00 lbs	2027.00 lbs	6500.00 lbs
Capacity			
Axle	5360 lbs	9880 lbs	15240.00 lbs
Suspension	6830 lbs	9880 lbs	16,710.00 lbs
Tire	2680 lbs	2470 lbs	5150.00
Total Axle Rating	2680.00 lbs	2470.00 lbs	5150.00 lbs

This document contains information considered Confidential between GM and its Clients uniquely. The information provided is not intended for public disclosure. Prices, specifications, and availability are subject to change without notice, and do not include certain fees, taxes and charges that may be required by law or vary by manufacturer or region. Performance figures are guidelines only, and actual performance may vary. Photos may not represent actual vehicles or exact configurations. Content based on report preparer's input is subject to the accuracy of the input provided.

Data Version: 19615. Data Updated: Jun 6, 2023 6:42:00 PM PDT.



NORTH COUNTRY GM

BOB OHARA | 218-262-3881 | rwohara01@aol.com

Vehicle: [Fleet] 2023 Chevrolet 4500HD LCF Diesel (CT34003) 2WD Reg Cab 176" (✔ Complete)

Selected Model and Options

MODEL				
CODE	MODEL			MSRP
CT34003	2023 Chevrolet 4500HD LCF Diesel 2WD Reg Cab 176"			\$59,715.00

COLORS	
CODE	DESCRIPTION
16U	Arc White

REQUIRED OPTION				
CODE	DESCRIPTION	FRONT WEIGHT	REAR WEIGHT	MSRP
R9J	Ocean Freight Surcharge (Required on all models until further notice.)	0.00 lbs	0.00 lbs	\$2,475.00

ENGINE				
CODE	DESCRIPTION	FRONT WEIGHT	REAR WEIGHT	MSRP
I1B	Engine, Diesel 5.2L 4 cylinder 215 hp [160.3 kW] @2500 rpm, 452 lb-ft of torque [612.8 Nm] @ 1850-2750 rpm (Governed). 16 valve, four cycle, chain-driven dual overhead camshaft valve train, a cast iron cylinder block, and a cast aluminum cylinder head. Turbocharged, inter-cooled, water cooled EGR, direct injection, electronically controlled common rail fuel system and engine cruise control. Oil level check switch and light. Engine warning system with audible warning for low oil pressure, high coolant temperature, and a protection system that will reduce fueling if excessive coolant temperature is detected (STD)	0.00 lbs	0.00 lbs	\$0.00

TRANSMISSION				
CODE	DESCRIPTION	FRONT WEIGHT	REAR WEIGHT	MSRP
IR7	Transmission, 6-speed automatic Aisin A465 transmission with fifth and sixth gear overdrive with lock up in 2nd, 3rd, 4th, 5th and 6th, PTO capability automatic torque converter lockup in stationary PTO mode. (STD)	0.00 lbs	0.00 lbs	\$0.00

AXLE				
CODE	DESCRIPTION	FRONT WEIGHT	REAR WEIGHT	MSRP
005	Rear axle, 4.56 ratio	0.00 lbs	0.00 lbs	\$0.00

This document contains information considered Confidential between GM and its Clients uniquely. The information provided is not intended for public disclosure. Prices, specifications, and availability are subject to change without notice, and do not include certain fees, taxes and charges that may be required by law or vary by manufacturer or region. Performance figures are guidelines only, and actual performance may vary. Photos may not represent actual vehicles or exact configurations. Content based on report preparer's input is subject to the accuracy of the input provided.

Data Version: 19615. Data Updated: Jun 6, 2023 6:42:00 PM PDT.



NORTH COUNTRY GM

BOB OHARA | 218-262-3881 | rwohara01@aol.com

Vehicle: [Fleet] 2023 Chevrolet 4500HD LCF Diesel (CT34003) 2WD Reg Cab 176" (✔ Complete)

PREFERRED EQUIPMENT GROUP

CODE	DESCRIPTION	FRONT WEIGHT	REAR WEIGHT	MSRP
1WT	Preferred Equipment Group includes standard equipment	0.00 lbs	0.00 lbs	\$0.00

FRONT TIRES

CODE	DESCRIPTION	FRONT WEIGHT	REAR WEIGHT	MSRP
2TA	Tires, front, LT215/85R16 E 115/112 L BW ALS VAR1 (STD)	0.00 lbs	0.00 lbs	\$0.00

REAR TIRES

CODE	DESCRIPTION	FRONT WEIGHT	REAR WEIGHT	MSRP
3TA	Tires, rear, LT215/85R16 E 115/112 L BW ALS VAR1 (STD)	0.00 lbs	0.00 lbs	\$0.00

PAINT

CODE	DESCRIPTION	FRONT WEIGHT	REAR WEIGHT	MSRP
16U	Arc White	0.00 lbs	0.00 lbs	\$0.00

SEAT TYPE

CODE	DESCRIPTION	FRONT WEIGHT	REAR WEIGHT	MSRP
A1F	Seat, front high back bucket driver and passenger tricoat cloth covered reclining high back driver seat with single two occupant fold down passenger seat (STD)	0.00 lbs	0.00 lbs	\$0.00

SEAT TRIM

CODE	DESCRIPTION	FRONT WEIGHT	REAR WEIGHT	MSRP
H72	Medium Ash Gray, Cloth Seat Trim	0.00 lbs	0.00 lbs	\$0.00

RADIO

CODE	DESCRIPTION	FRONT WEIGHT	REAR WEIGHT	MSRP
UIZ	Audio System, AM/FM stereo with CD player, auxiliary jack, USB port and Bluetooth (STD)	0.00 lbs	0.00 lbs	\$0.00

This document contains information considered Confidential between GM and its Clients uniquely. The information provided is not intended for public disclosure. Prices, specifications, and availability are subject to change without notice, and do not include certain fees, taxes and charges that may be required by law or vary by manufacturer or region. Performance figures are guidelines only, and actual performance may vary. Photos may not represent actual vehicles or exact configurations. Content based on report preparer's input is subject to the accuracy of the input provided.

Data Version: 19615. Data Updated: Jun 6, 2023 6:42:00 PM PDT.



NORTH COUNTRY GM

BOB OHARA | 218-262-3881 | rwohara01@aol.com

Vehicle: [Fleet] 2023 Chevrolet 4500HD LCF Diesel (CT34003) 2WD Reg Cab 176" (✔ Complete)

ADDITIONAL EQUIPMENT - MECHANICAL

CODE	DESCRIPTION	FRONT WEIGHT	REAR WEIGHT	MSRP
K05	PIO, Engine Block Heater with Receptacle (Port Installed Option) (Not available with (PDW) Cold Climate Package with Receptacle, PIO or (KA9) Heater Eng-Oil Pan with Receptacle, PIO.)	0.00 lbs	0.00 lbs	\$200.00

ADDITIONAL EQUIPMENT - EXTERIOR

CODE	DESCRIPTION	FRONT WEIGHT	REAR WEIGHT	MSRP
DL8	PIO, Mirror, outside left hand and right hand heated dual remote 17" heads (Port Installed Option)	0.00 lbs	0.00 lbs	\$675.00

ADDITIONAL EQUIPMENT - INTERIOR

CODE	DESCRIPTION	FRONT WEIGHT	REAR WEIGHT	MSRP
ATG	PIO, Remote Keyless Entry (Port Installed Option)	0.00 lbs	0.00 lbs	\$315.00
Options Total		0.00 lbs	0.00 lbs	\$3,665.00
As Specified Curb Weight		4123.00 lbs	2027.00 lbs	

This document contains information considered Confidential between GM and its Clients uniquely. The information provided is not intended for public disclosure. Prices, specifications, and availability are subject to change without notice, and do not include certain fees, taxes and charges that may be required by law or vary by manufacturer or region. Performance figures are guidelines only, and actual performance may vary. Photos may not represent actual vehicles or exact configurations. Content based on report preparer's input is subject to the accuracy of the input provided.

Data Version: 19615. Data Updated: Jun 6, 2023 6:42:00 PM PDT.



NORTH COUNTRY GM

BOB OHARA | 218-262-3881 | rwohara01@aol.com

Vehicle: [Fleet] 2023 Chevrolet 4500HD LCF Diesel (CT34003) 2WD Reg Cab 176" (✔ Complete)

Standard Equipment

Mechanical

Emissions, 50 state certification

Engine, Diesel 5.2L 4 cylinder 215 hp [160.3 kW] @2500 rpm, 452 lb-ft of torque [612.8 Nm] @ 1850-2750 rpm (Governed). 16 valve, four cycle, chain-driven dual overhead camshaft valve train, a cast iron cylinder block, and a cast aluminum cylinder head. Turbocharged, inter-cooled, water cooled EGR, direct injection, electronically controlled common rail fuel system and engine cruise control. Oil level check switch and light. Engine warning system with audible warning for low oil pressure, high coolant temperature, and a protection system that will reduce fueling if excessive coolant temperature is detected (STD)

Transmission, 6-speed automatic Aisin A465 transmission with fifth and sixth gear overdrive with lock up in 2nd, 3rd, 4th, 5th and 6th, PTO capability automatic torque converter lockup in stationary PTO mode. (STD)

Rear axle, 4.56 ratio

Air cleaner, heavy-duty, 11" diameter dry paper single element. Air cleaner canister standard with air restriction gauge. Back of cab location.

Drivetrain, rear-wheel drive

Battery, dual 750 cold-cranking amps, 12 volt, maintenance free

Alternator, 140 amps

Frame, ladder-type channel frame. Full C section straight frame 33.5" (85.1 cm) wide. Yield strength 44,000 psi, section modulus 7.20 cu.in. and RBM 316,800 lb-ft/in per rail.

Incomplete vehicle certification

Wheelbase, 176" (447.0 cm)

GVWR, 14,500 lbs. (6577 kg)

Front suspension, 6,830 lbs. (3098 kg) tapered leaf, semi-elliptical steel alloy. Includes shock absorbers and stabilizer bar.

Rear Suspension, 9,880 lbs. (4481kg), multi-leaf, semi-elliptical steel alloy. Includes shock absorbers

Front axle, 6,830 lbs. (3098 kg), reverse Elliot "I"-beam includes integral hydraulic power steering. ratio 18.8-20.9:1

Rear axle, 11,020 lbs. (4998 kg) R050, full-floating single-speed with oil lubricated rear wheel-bearings

Vehicle Application Truck

Brakes, 4-wheel antilock, front and rear disc with traction control and stability control

Exhaust brake

Fuel tank, 30 Gallon, (113L), stainless steel includes 2 auxiliary fuel ports

Exhaust, single horizontal outlet

Exterior

Tires, front, LT215/85R16 E 115/112 L BW ALS VAR1 (STD)

This document contains information considered Confidential between GM and its Clients uniquely. The information provided is not intended for public disclosure. Prices, specifications, and availability are subject to change without notice, and do not include certain fees, taxes and charges that may be required by law or vary by manufacturer or region. Performance figures are guidelines only, and actual performance may vary. Photos may not represent actual vehicles or exact configurations. Content based on report preparer's input is subject to the accuracy of the input provided.

Data Version: 19615. Data Updated: Jun 6, 2023 6:42:00 PM PDT.



NORTH COUNTRY GM

BOB OHARA | 218-262-3881 | rwohara01@aol.com

Vehicle: [Fleet] 2023 Chevrolet 4500HD LCF Diesel (CT34003) 2WD Reg Cab 176" ( Complete)

Exterior

Tires, rear, LT215/85R16 E 115/112 L BW ALS VAR1 (STD)

Wheels, 16" x 6, K. steel

Grille, Silver

Assist steps

Glass, tinted

LED Headlamps

Mirror, outside left-hand and right hand dual cab-mounted with integral convex mirror

Windshield wiper, pulse, wet arm

Entertainment

Audio System, AM/FM stereo with CD player, auxiliary jack, USB port and Bluetooth (STD)

Audio system feature, 2 speakers

Interior

Seat, front high back bucket driver and passenger tricoat cloth covered reclining high back driver seat with single two occupant fold down passenger seat (STD)

Seat trim, Cloth

Cup holders

Floor mats

Steering wheel, urethane

Steering wheel, tilt and telescopic

Driver Information Center, (DIC) (monitors vital functions including diesel exhaust fluid levels (DEF), particulate matter emissions level in the diesel particulate filter (DPF), diesel particulate filter regeneration, service reminders for engine oil, transmission oil, differential oil, power steering fluid, engine oil filter, and fuel filters. The DIC provides fuel economy reporting by average, instant, and trip.)

Air conditioning, single-zone manual, integral in-dash mounted

Windows, power

Door locks, power

Cruise control, electronic, automatic

Windshield washer bottle access on passenger side dash when passenger-side door is open

Storage, door pockets

Lighting, interior dome

Storage, seatback pockets

This document contains information considered Confidential between GM and its Clients uniquely. The information provided is not intended for public disclosure. Prices, specifications, and availability are subject to change without notice, and do not include certain fees, taxes and charges that may be required by law or vary by manufacturer or region. Performance figures are guidelines only, and actual performance may vary. Photos may not represent actual vehicles or exact configurations. Content based on report preparer's input is subject to the accuracy of the input provided.

Data Version: 19615. Data Updated: Jun 6, 2023 6:42:00 PM PDT.



NORTH COUNTRY GM

BOB OHARA | 218-262-3881 | rwohara01@aol.com

Vehicle: [Fleet] 2023 Chevrolet 4500HD LCF Diesel (CT34003) 2WD Reg Cab 176" (✔ Complete)

Safety-Mechanical

Brake, parking, cable actuated, internal expanding drum type, transmission-mounted

Safety-Exterior

Daytime Running Lamps

WARRANTY

Warranty Note: <<< Preliminary 2023 Warranty >>>

Basic Years: 3

Basic Miles/km: Unlimited

Drivetrain Years: 3

Drivetrain Miles/km: Unlimited

Corrosion Years: 4

Corrosion Miles/km: Unlimited

Rear Axle Years: 3

Rear Axle Miles/km: Unlimited

Frame Rail Years: 3

Frame Rail Miles/km: Unlimited

Frame Rail Note: 3 years/Unlimited Miles (no charge) AND up to 5 years/Unlimited miles (50% charge)

Roadside Assistance Years: 3

Roadside Assistance Miles/km: Unlimited

Maintenance Note: 1 Year/1 Visit

This document contains information considered Confidential between GM and its Clients uniquely. The information provided is not intended for public disclosure. Prices, specifications, and availability are subject to change without notice, and do not include certain fees, taxes and charges that may be required by law or vary by manufacturer or region. Performance figures are guidelines only, and actual performance may vary. Photos may not represent actual vehicles or exact configurations. Content based on report preparer's input is subject to the accuracy of the input provided.

Data Version: 19615. Data Updated: Jun 6, 2023 6:42:00 PM PDT.



NORTH COUNTRY GM

BOB OHARA | 218-262-3881 | rwohara01@aol.com

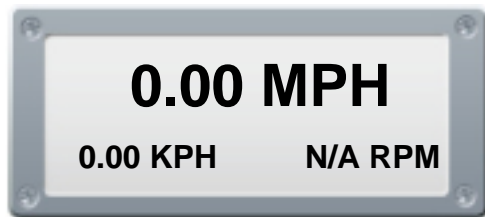
Vehicle: [Fleet] 2023 Chevrolet 4500HD LCF Diesel (CT34003) 2WD Reg Cab 176" (Complete)

Geared Road Speed

SPECIFICATION SUMMARY

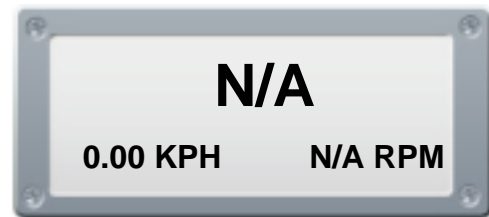
Model #	CT34003
Engine Order Code	I1B
Model Manufacturer	4HK1-TC
Type	Turbocharged Diesel I4
Displacement	5.2L/317
Horsepower	215 @ 2500
Starting Torque	N/A
Transmission Order Code	IR7
Model Manufacturer	Aisin A465
Type	6-Speed Automatic
Rear Axle Order Code	
Model Manufacturer	N/A
Weight Rating	9880 lbs
Ratio:1	4.555
Rear Tires	LT215/85R16
Revolutions/Mile Front	682.9
Revolutions/Mile Rear	682.9
Surface Type	Concrete
Desired Grade	2%

Geared Road Speed



0% Grade in gear

Actual Loaded Speed



2% Grade in gear

Note: Simulated speedometer appearance may not correspond with selected equipment.

This document contains information considered Confidential between GM and its Clients uniquely. The information provided is not intended for public disclosure. Prices, specifications, and availability are subject to change without notice, and do not include certain fees, taxes and charges that may be required by law or vary by manufacturer or region. Performance figures are guidelines only, and actual performance may vary. Photos may not represent actual vehicles or exact configurations. Content based on report preparer's input is subject to the accuracy of the input provided.

Data Version: 19615. Data Updated: Jun 6, 2023 6:42:00 PM PDT.

BILL OF SALE

DATE: 6/08/2023

STOCK #: ICELLO

BUYER INFORMATION:		SELLER INFORMATION:	
CITY OF MONTICELLO		KA COMMERCIAL TRUCKS LLC	
MONTICELLO, MN 55362	COUNTY: WRIGHT	71232 US HWY 12	
HOME: 763-271-3268 WORK:	CELL:	DASSEL, MN 55325	
D.L./STATE ID #:	STATE: MN EXP. DATE:	320-275-2150	
D.O.B.:		SALESPERSON: Andrew Pautzke	

VEHICLE INFORMATION:		VIN: CITYOFMONTICELLO	MILEAGE: 0
YEAR: 0	COLOR 1:	STYLE: 1697	LICENSE #:
MAKE: CM	COLOR 2:	CYL:	STATE:
MODEL: LB	BODY:	TRANS: AUTO	STOCK: ICELLO

TRADE-IN INFORMATION:		SETTLEMENT	
YEAR:	COLOR:	Bed only	VEHICLE PRICE 15,671.00
MAKE:	MILEAGE:		N/A
MODEL:	BODY:		SUBTOTAL 15,671.00
VIN:		Sales Tax:	N/A
BALANCE OWED TO:		Registration Tax:	0.00
BALANCE OWED: \$ 0.00	GOOD THROUGH:	Plate Fee:	N/A
ALLOWANCE: \$ 0.00	QUOTED BY:	Public Safety Vehicle Fee:	N/A
		Transfer Tax:	N/A
		Title / Transfer Fee:	N/A
		State / Deputy Filing Fee:	N/A
		Lien Recording Fee:	N/A
		Wheelage Tax:	N/A
		Late Transfer Penalty:	N/A
		Title Technology Surcharge:	N/A
		Payoff on Trade-in:	N/A

INSURANCE INFORMATION:		INSTALLATION	
COMPANY:	POLICY #:	Installation: labor & materials	1,400.00
AGENT:			
PHONE:			

LIEN HOLDER INFORMATION:		CREDIT	
COMPANY:		TRADE-IN ALLOWANCE	N/A
STREET:		DEPOSIT	N/A
CITY, STATE, ZIP:		DOWN PAYMENT	17,071.00
		TOTAL CREDIT	17,071.00

REMARKS: **\$200 additional to install factory existing backup camera

VEHICLE WARRANTY:
 Express Warranty. This vehicle is sold with an express warranty provided to you separately. You also may obtain a written copy of such warranty from the dealer upon request.
 No Express or Implied Warranty. **AS IS: This vehicle is being sold "AS IS - WITH ALL FAULTS". Buyer assumes the entire risk as to the quality and performance of the vehicle. Unless Seller makes a written warranty, or enters into a service contract within 90 days from the date of this contract, Seller makes no warranties, express or implied, on the vehicle, and there will be no implied warranties of merchantability or of fitness for a particular purpose.** This provision does not affect any warranties covering the vehicle that the manufacturer may provide. Seller neither assumes nor authorizes any other person to assume for it any liability in connection with the sale of such vehicle and the related products and services.

CONTRACTUAL DISCLOSURE STATEMENT (USED VEHICLES ONLY) The information you see on the window form for this vehicle is part of this contract. Information on the window form overrides any contrary provisions in the contract of sale. Spanish Translation: Guía para compradores de vehículos usados. La información que ve en el formulario de la ventanilla para este vehículo forma parte del presente contrato. La información del formulario de la ventanilla deja sin efecto toda disposición en contrario contenida en el contrato de venta.

Buyer hereby declares that they are of legal age to transact business and that no unfair inducement has been made by Seller. This agreement and the related documents that Buyer signs contemporaneously with this agreement, including any retail installment contract, contain the entire agreement between Buyer and Seller and cancels and supersedes any prior agreement including oral agreements relating to the sale of the motor vehicle.

IMPORTANT: THIS MAY BE A BINDING CONTRACT AND YOU MAY LOSE ANY DEPOSITS IF YOU DO NOT PERFORM ACCORDING TO ITS TERMS.

X Andrew Pautzke 6/08/23 X 6/08/23 X N/A
 Accepted by Authorized Representative of Seller Date Buyer Date Co-Buyer Date
 FZ-MN-BOS rev. 10/22 ©2022 Frazer Computing, LLC



